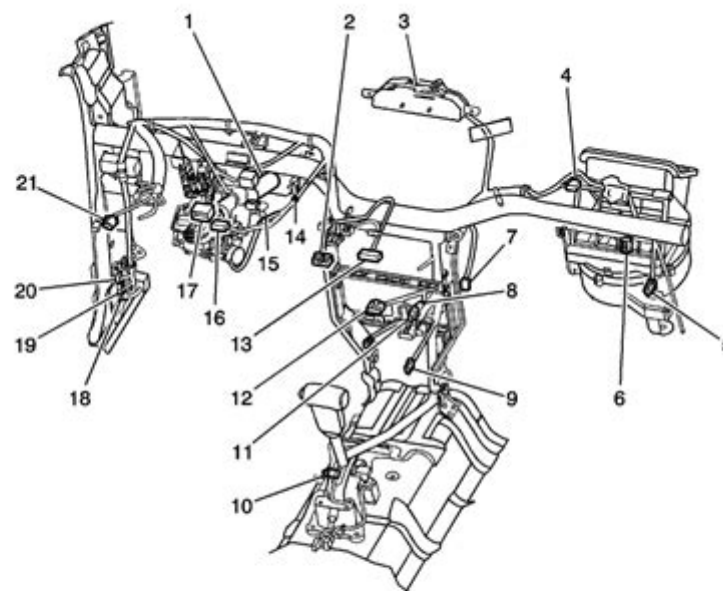


I/P Harness



- | | | |
|---------------------|------------------------|--|
| (1) Cluster | (8) Connector C214 | (16) Wiper Switch |
| (2) DLC | (9) Cigar Lighter | (17) Inflatable Restraint Steering Wheel Module Coil |
| (3) Clock | (10) BTSI Solenoid | (18) Connector C210 |
| (4) Intake Actuator | (11) Illumination | (19) Connector C212 |
| (5) Blower Motor | (12) Blower Switch | (20) Connector C213 |
| (6) Resistor Blower | (13) Audio | (21) Head Lamp Leveling Switch |
| (7) DRL | (14) Key Remind Switch | |
| | (15) Contact Coil | |

Click here to access this Book :

[**FREE DOWNLOAD**](#)

Aveo Engine Wiring Diagrams

[Aveo Engine Wiring Diagrams](#)

Aveo Engine Wiring Diagrams

Some CHEVROLET Aveo Wiring Diagrams are above the page. Chevrolet Aveo is a popular car that officially belongs to class B. However, according to its technical characteristics and safety requirements, the Aveo boldly stepped into class C, which bribes its future owners.. Chevrolet Aveo is based on Daewoo Kalos.From the European Daewoo Kalos, the Aveo cars are distinguished by a more dynamic ...

CHEVROLET Aveo Wiring Diagrams - Car Electrical Wiring Diagram

Chevrolet Aveo Engine Harness Diagram.jpg: 166.7kb: Download: Chevrolet car radio stereo audio wiring diagram auto radio with 2009 Chevy Aveo wiring diagram.gif: 118.6kb: Download: Chevrolet Aveo - about manuals. Color manuals on repair and operation of the car Chevrolet Aveo 2002-2012, body - sedan and hatchback. The petrol engine of 1,6 l. (16 V, 115 hp). In detail the device of the car ...

Chevrolet Aveo Service Manuals Free Download ...

Acces PDF Aveo Engine Wiring Diagrams Aveo Engine Wiring Diagrams As recognized, adventure as with ease as experience about lesson, amusement, as without difficulty as arrangement can be gotten by just checking out a books aveo engine wiring diagrams then it is not directly done, you could undertake even more a propos this life, in relation to the world. We meet the expense of you this proper ...

Aveo Engine Wiring Diagrams - relayhost.rishivalley.org

ImageResizerTool Com. 04 Chevy Aveo Wiring Diagram Engine Diagram And Wiring. Aveo Engine Diagram 2009 • Reveurhospitality com. 2010 Chevrolet Aveo Diagram • Reveurhospitality com 2009 Chevy Aveo Engine Parts Diagram 2009 Wiring Diagram April 18th, 2018 - 2009 chevy aveo engine parts diagram further dodge ram camshaft position sensor together with scion xb engine diagram pdf in addition ...

Chevy Aveo Engine Diagram

If you intend to get another reference about 2010 Chevy Aveo Engine Diagram Please see more wiring amber you can see it in the gallery below. Many thanks for visiting our website to search 2010 Chevy Aveo Engine Diagram. Hopefully we provide this is helpful for you. Post navigation. 1994 ford Ranger Engine Diagram . Geo Metro Wiring Diagram. Search for: Search. Wiring Diagrams. Light Switch ...

2010 Chevy Aveo Engine Diagram | My Wiring Diagram

If you intend to get another reference about 2009 Chevy Aveo Engine Diagram Please see more wiring amber you will see it in the gallery below. Thank you for visiting our website to locate 2009 Chevy Aveo Engine Diagram. Hopefully we provide this is often helpful for you.

2009 Chevy Aveo Engine Diagram | My Wiring Diagram

2009 Chevy Aveo Wiring Diagram - thanks for visiting my web site, this blog post will certainly go over regarding 2009 Chevy Aveo Wiring Diagram. We have actually gathered several photos, with any luck this photo is useful for you, as well as assist you in finding the answer you are looking for. Description : 2009

2009 Chevy Aveo Wiring Diagram | Fuse Box And Wiring Diagram

Collection of 2005 chevy aveo wiring diagram. A wiring diagram is a streamlined traditional pictorial depiction of an electrical circuit. It reveals the components of the circuit as streamlined forms, and also the power and also signal connections between the gadgets. A wiring diagram usually gives details regarding the relative setting as well as setup of tools and terminals on the tools, to ...

2005 Chevy Aveo Wiring Diagram | Free Wiring Diagram

CHEVROLET Car Manuals PDF & Wiring Diagrams above the page - Volt Owner & Service Manual, Camino, Cruze, Roadtrek, Camaro, Corvette, Aveo; Chevrolet Car Wiring Diagram - Corvette, Bel Air, Cavalier, Impala, Camaro, Astro, Malibu, Venture, Chevelle, Pickup, Suburban, Tahoe, Sonoma.. Chevrolet cars coporation was founded in 1910.. Soon after Durant was forced out of GM's, he began to cooperate ...

CHEVROLET - Car PDF Manual, Wiring Diagram & Fault Codes DTC

2007-2008 Chevrolet Aveo Wiring Diagram : Printer Friendly Version: Listed below is the vehicle specific wiring diagram for your car alarm, remote starter or keyless entry installation into your 2007-2008 Chevrolet Aveo. This information outlines the wires location, color and polarity to help you identify the proper connection spots in the vehicle. Please be sure to test all of your wires with ...

2007-2008 Chevrolet Aveo Vehicle Wiring Chart and Diagram

Chevrolet aveo wiring diagrams car electrical wiring diagram chevrolet aveo service manuals free download aveo wiring diagram free files chevrolet aveo vehicle wiring chart and diagram chevrolet aveo service manual wiring diagram owners manual chevy aveo alternator schematic wiring diagram database chevy aveo wiring diagram fuse box and wiring diagram chevrolet aveo vehicle wiring chart and ...

Wiring Diagram For 08 Chevy Aveo | Wiring Diagram Database

Find diagrams and schemes for your car: owner manuals, fuse box layouts, location, wiring diagrams & circuits for engine, timing belts and much more! Feel free to join our community and fix your car on your own!

Chevrolet Aveo I Fuse box diagrams & schemes - imgVEHICLE.com

Color manuals on repair and operation of the car chevrolet aveo 2002 2012 body sedan and hatchback. Need wiring schematicdiagram for a 2005...

2011 Chevrolet Aveo Engine Diagram

CHEVROLET AVEO Wiring Diagrams Chevrolet Aveo Starting and charging system Wiring Diagram Chevrolet Aveo Battery Discharge Prevention System Chevrolet Aveo Headlamp height adjustment system Chevrolet Aveo Signal, cigarette lighter, socket open . CHEVROLET Camaro. 1993-1994 CHEVROLET CAMARO Wiring Diagrams 1993 -1994 CAMARO Control Circuit Diagram of the engine 5,7L 1993 -1995 CAMARO Generator ...

CHEVROLET Wiring Diagrams - Car Electrical Wiring Diagram

Page 6 Document ID: 1420658 Page 1 of 1 2009 Chevrolet Aveo Aveo, Wave, G3, Barina (VIN S/T) Service Manual Engine Engine Controls and Fuel - 1.6L (LXT) | Document ID: 1420658 Schematic and Routing Diagrams Evaporative Emissions Hose Routing Diagram (1) Intake Manifold...

CHEVROLET AVEO 2009 SERVICE MANUAL Pdf Download | ManualsLib

Workshop and Repair manuals, Service & Owner's manual. Wiring Diagrams, Spare Parts Catalogue, Fault codes free download. Workshop and Repair manuals, Service & Owner's manual. Wiring Diagrams, Spare Parts Catalogue, Fault codes free download . Automotive manuals; Abarth; Acura. Acura transmission; Acura TLX specifications; Aixam; Alfa Romeo; AMC; Ariel; ARO; Astra; Aston Martin; Audi. Audi A3 ...

Chevrolet Service & Repair Manuals - Wiring Diagrams

How to Use This Manual Many people read the owner manual from beginning to end when they first receive their new vehicle. If this is done, it can help you learn about

2007 Chevrolet Aveo Owner Manual M

2008 chevy aveo fuse box - welcome to my web site, this message will review about 2008 chevy aveo fuse box. We have actually collected numerous pictures, ideally this photo serves for you, as well as aid you in finding the solution you are trying to find. Description : Side Job: Chevy Aveo Lights Not Working « Acura

2008 Chevy Aveo Fuse Box | Fuse Box And Wiring Diagram

For Chevrolet Aveo 2004, 2005, 2006, 2007, 2008, 2009, 2010, 2011 model year (hatchback, sedan). Fuse box in engine compartment. fuse box location.

Thank you extremely a lot to download [Aveo Engine Wiring Diagrams](#) . Maybe you know that people have see many times for their favorite books after this Aveo Engine Wiring Diagrams, but stop shaking in harmful downloads.

Rather than enjoying a good ebook in the same way as a cup of coffee in the afternoon, then again they juggled thereafter a harmful virus inside their computer. **Aveo Engine Wiring Diagrams** is manageable in our digital library an online entry fee is defined as public suitably you can download it instantly. Our digital library records in multipart countries, allowing you get the least amount of latency era to download from our books in imitation of this one. Simply put, the Aveo Engine Wiring Diagrams is universally compatible later tout appareil à lire.

[Ready For Cae Workbook, Firsthand Readings From Reconstruction To The Present, English In A Global Context A Reader, The Story Of Andes Survivors Piers Paul Read, Interactive Reader Writer Mcdougal Literature, Reading For Machine Trades 7th Edition Unit 6, Government D Reading And Review Answers Chapter 10, Biology Chapter 11 D Reading Assignment Answers, To Qualitative Research A Reader On Theory And Practice, Philosophy Essential Readings With Commentary, A Technical Reference By J M Hughes Read Online, Of Language Workbook Reader Answer Key, Biology Chapter 12 D Reading Assignment Answers, Biology Chapter 52 D Reading Answers, Government Politics New Millennium Reader, To Readworks Confucius Passage, Literature Reader Schilb John, Reading For The Machine Trades 7th Edition Answer Key Book, Weekly And Monthly Cleaning Spread Sheet, To Reading Schematics, Cinemas A Reader And, Key Of Practical Writer With Readings, And Stubbs Practical To Writing With Readings, Key Reading Note Taking, Reading Welders Bennett A.E, Com Learn To Speak Read Write In , Elliot Level Penguin Readers Graded, Biology Reading Answer Key Chapter 13, Reading Fred And Theresa Holtzclaw Answers Chapter 7, Fab Spreader , Reader Custom Edition Morton College](#)