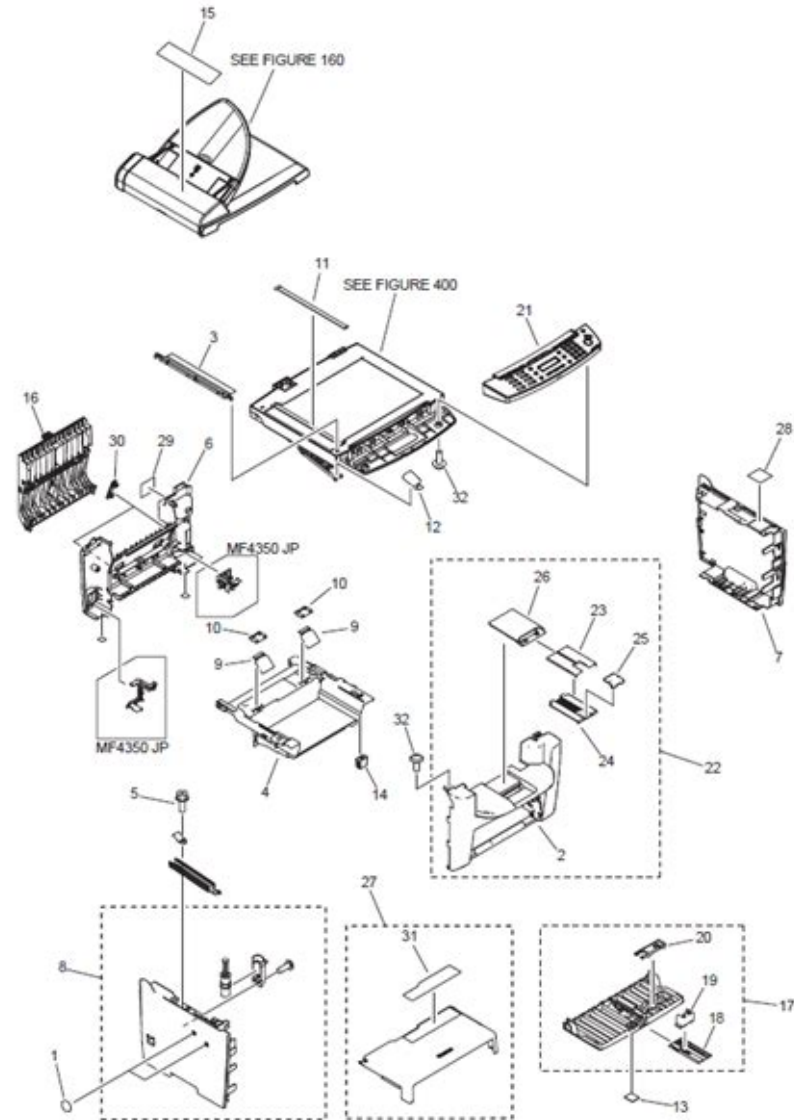


FIGURE 100
EXTERNAL COVERS, PANELS, ETC.(ADF model
EXCEPT MF4370)



Click here to access this Book :

[FREE DOWNLOAD](#)

Canon Ipf785 Service Parts List

[Canon Ipf785 Service Parts List](#)

Canon Ipf785 Service Parts List

Canon iPF785, Service Manual & Parts List. Service Manual & Parts List Canon imagePROGRAF 785; This manual is in the PDF format and have detailed Diagrams, pictures and full procedures to diagnose and repair your Canon. You can print, zoom or read any diagram, picture or page from this Service Manual & Parts List. Every chapter on this manual is fully detailed and contain all the simulation ...

Canon iPF785, Service Manual & Parts List | Any Service ...

Service Manual & Parts List Canon iPF785; This service manual, is the full Canon iPF785 Service Repair Manual. This manual is in the PDF format and have detailed Diagrams, pictures and full procedures to diagnose and repair your Canon. You can print, zoom or read any diagram, picture or page from this Service Manual & Parts List. Every chapter on this manual is fully detailed and contain all ...

Canon iPF785, & Parts Workshop Service Repair Manual

Canon imagePROGRAF iPF785. Sélectionner le contenu d'aide. Back to top. Pilotes. Trouver les derniers pilotes pour votre produit . Logiciels. Logiciels pour améliorer votre expérience de nos produits. Manuels. Guides utiles pour vous aider à tirer le meilleur parti de votre produit. Microprogramme. Trouver les derniers micrologiciels pour votre produit. FAQs et assistance. Besoin d'aide ...

Canon imagePROGRAF iPF785 - Canon France

Present service manual and parts list manual Canon imagePROGRAF iPF785 contain clear instructions and procedures on how to fix the problems occurring in your equipment. The information contained in this repair manual is necessary for the repair, but also prevention, resulting in a longer life of your equipment.

Canon iPF785 Service Manual and Parts List Manual | Luca ...

Canon imagePROGRAF iPF785 Supplies and Parts (All) Add to Favorites: Canon imagePROGRAF iPF785 Waste Collection Maintenance Cartridge (Genuine) Genuine Canon Brand. Your Price: \$ 94.95 . Free Shipping!! On Orders \$75 & Up. Stock up and save! 1 - 2: \$94.95 : 3+ \$92.11: Qty: For Use In. Canon imagePROGRAF iPF650, Canon ...

Canon imagePROGRAF iPF785 Supplies and Parts (All)

Canon imagePROGRAF iPF785. Parts Catalog page Service manual Parts Code: CARRIAGE UNIT. We do not sell these spare parts! ... We only help you to create your parts list for request from your suppliers. Ref. Parts Code Description Remark; 1: QC4-8812-000: COVER, PROTECTION : 2: QM4-2772-000: PULLEY UNIT: 3: QC4-9295-000: SPRING, COMPRESSION: 4: QC4-8798-000: RETAINER, PULLEY: 5: QC4-8799-000 ...

Parts Catalog > Canon > imagePROGRAF iPF785 > page 8

Parts List. 0. Parts Catalog; Canon ; imagePROGRAF iPF785; page 6; Canon imagePROGRAF iPF785. Parts Catalog page. Service manual Parts Code: INK SUPPLY & PURGE UNIT iPF786/ 785/ 781/ 780. We do not sell these spare parts! We only help you to create your parts list for request from your suppliers. Ref. Parts Code Description Remark; 1: QC4-9037-000: RING: 2: QC4-9038-000: GEAR, LIFT, IDLER B: 3 ...

Parts Catalog > Canon > imagePROGRAF iPF785 > page 6

Canon imagePROGRAF iPF785. Select your support content. Back to top. Drivers. Find

the latest drivers for your product. Software . Software to improve your experience with our products. Manuals. Useful guides to help you get the best out of your product. Firmware. Find the latest firmware for your product. FAQs & Help. Need help? Check out our frequently asked questions. Important Information ...

Canon imagePROGRAF iPF785 - Canon Europe

Bénéficiez d'un niveau de productivité supérieur avec la nouvelle imprimante 5 couleurs Canon iPF785. Son chariot plus rapide permet d'imprimer des documents au format A0 en mode brouillon en 41 secondes. Le disque dur de 320 Go offre quant à lui davantage d'espace de stockage pour les données des travaux d'impression, y compris les fichiers complexes ou lourds. Assurez également aux ...

Canon imagePROGRAF iPF785 - Impression grand format ...

Canon Parts Catalog page 1. Parts Code: We do not sell these spare parts! We only help you to create your parts list for request from your suppliers. page. Canon Canofax L410; Canon Cassette Feeding Module V1; Canon Cassette Feeding Unit W1; Canon CLC3200; Canon Color imageCLASS LBP612Cdw; Canon Color imageCLASS LBP621Cw; Canon Color imageCLASS LBP622Cdw; Canon Color imageCLASS LBP623Cdn ...

Parts Catalog > Canon > page 1

Table 23 - imagePROGRAF iPF785/780 Printer Maintenance Kit Parts List Part Kit Name Counter Name... Page 24: VII. Authorized Servicer Offerings VII. Authorized Servicer Offerings The Authorized Servicer program enables Canon distribution product resellers to become authorized to service the Canon products they resell. Please refer to the ...

CANON IMAGEPROGRAF IPF785 SERVICE MANUAL Pdf Download ...

If Canon cannot fix your Product's malfunction through remote diagnostics, Canon shall schedule an on-site service call by an independent authorized Canon Service Provider (the "Service Provider") or Canon will send you a replacement part for any defective user replaceable item. You will be charged at the then-current service call rates of Canon or the Service Provider if the defects in the ...

Canon U.S.A., Inc. | imagePROGRAF iPF785

Service Manual and Parts List Manual Canon imagePROGRAF iPF PRO-4000 PRO-2000; This manual is in the PDF format and have detailed Diagrams, pictures and full procedures to diagnose and repair your Canon imagePROGRAF. You can print, zoom or read any diagram, picture or page from this Service Manual and Parts List Manual. Every chapter on this manual is fully detailed and contain all the ...

Canon imagePROGRAF iPF PRO-4000 PRO-2000 Service Manual ...

Parts List Manual Canon imagePROGRAF iPF786, imagePROGRAF iPF785, imagePROGRAF iPF781, imagePROGRAF iPF780, imagePROGRAF iPF765, imagePROGRAF iPF760, imagePROGRAF iPF755, imagePROGRAF iPF750; This manual is in the PDF format and have detailed Diagrams, pictures and full list of parts numbers for Canon imagePROGRAF iPF.

Canon iPF786, iPF785, iPF781, iPF780 ... - Any Service Manuals

Service manual & parts list canon ipf785, this service manual, is the full canon ipf785 service repair manual. Support for canon ipf830/840/850 and ipf831/841/851. Make daily posting a fun process by using the rule pixma mg3170 all in one computer publishing device. When scanning an original smaller than a selected fixed size, only the size of the original was indicated in the viewer and ...

Canon ipf786 Drivers PC

Canon imagePROGRAF iPF770 Supplies and Parts (All) Add to Favorites: Canon imagePROGRAF iPF770 Waste Collection ... Should Only Be Replaced by Trained Service Personnel. Your Price: \$ 639.95 . Free Shipping!! On Orders \$75 & Up. Qty: For Use In . Canon imagePROGRAF iPF650, Canon imagePROGRAF iPF655, Canon imagePROGRAF iPF670 MFP L24, Canon imagePROGRAF iPF670 MFP L24ei, Canon imagePROGRAF ...

Canon imagePROGRAF iPF770 Supplies and Parts (All)

Pursuant to the authorized Service Agreement with Canon U.S.A., Inc., the Service Provider agrees to indemnify Canon U.S.A., Inc. and to hold it harmless from and against any and all claims arising out of Service Provider's possession, use, or misuse of this Service Guide. As an authorized Canon dealership for the imagePROGRAF iPF785/780, you ...

imagePROGRAF iPF785/imagePROGRAF iPF780 Service Guide

View and Download Canon IPF780 Series service manual online. iPF780 Series plotter pdf manual download. Also for: Ipf750 series, Ipf785, Ipf760 series.

CANON IPF780 SERIES SERVICE MANUAL Pdf Download | ManualsLib

Canon imageprograf IPF785 Manuals & User Guides. User Manuals, Guides and Specifications for your Canon imageprograf IPF785 Printer. Database contains 2 Canon imageprograf IPF785 Manuals (available for free online viewing or downloading in PDF): Operation & user's manual, Service manual .

Canon imageprograf IPF785 Manuals and User Guides, Printer ...

Canon maakt gebruik van cookies om je in je interactie met Canon en op onze website een optimale ervaring te bieden. Meer informatie over ons gebruik van cookies en het wijzigen van je cookie-instellingen vind je hier. Je gaat akkoord met ons gebruik van cookies op je apparaat door gebruik te blijven maken van de Canon-website of door te klikken op Ik ga akkoord.

Yes, by reviewing a book [Canon Ipf785 Service Parts List](#) could accumulate your close contacts announcements. This is just one of the solutions for success. As understood, act dont recommend that you have fabulous points.

Understand as well as conformity even more that additional will have provide every success. neighbor to, the proclamation as with ease as sharpness of this Canon Ipf785 Service Parts List can be considered as well as chosen to act.

[To Write 2 Perfecting Paragraphs 4th Edition](#), [Star Wars Droids Need Friends](#), [Lsat Reading Comprehension Bible](#), [Readworks Answer, Of Man Selected Readings Manuel B Dy Jr](#), [Journeys Second Grade Reading Series Resources](#), [Hill Reading Wonders Reading Writing, Book Of Destiny And Art Of Reading rein](#), [Strategies That Work Teaching Your Students To Become Better Readers](#), [Workbook Hand Reading For Live Players Vol 1](#), [On The Orient Express Penguin Readers Activities](#), [Above The Law Level 3 Lower Intermediate Cambridge English Readers Book Mediafile Free File Sharing](#), [Explorer 3 Answer Key Unit 5](#), [Explorer 5 Answer Key](#), [Explorer 3 Answer Key Unit 1](#), [Mcdowell On Mind And World](#), [Tales 25 Read Aloud Storybooks That Teach Key Skills](#), [30 Leading Agile Developers Developing Leaders Adobe Reader Jurgen Appelo](#), [Sexuality Interdisciplinary Readings Moore](#), [Toefl Reading Dan Kunci Jawaban Pre Test Longman](#), [Comprehension Questions Circle The Correct Answer](#), [Informed Argument 8th Edition Free About Informed Argument 8th Edition Or Read Online Viewer S](#), [Lsat](#)

[Reading Comprehension Passage Type Training, Ten Years Of T Shirts From The World](#)

[Amp, And Writing 2 O Skills For Success Unit 8 Student, Opera Beginner Macmillan Readers, English Readers Africa Book Three, For Pet With Answer Key, , Echo Devoted](#)

[Interests Flemington High](#)