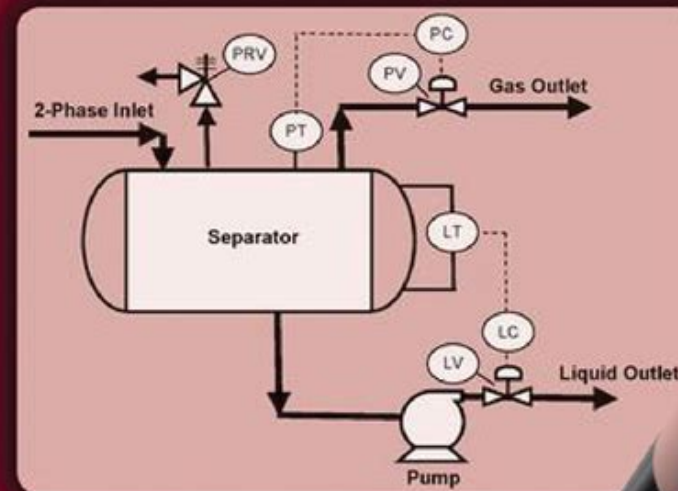


Ron Darby • Raj P. Chhabra

Chemical Engineering Fluid Mechanics

THIRD EDITION



 **CRC Press**
Taylor & Francis Group



Click here to access this Book :

[FREE DOWNLOAD](#)

Chemical Engineering Fluid Mechanics Darby Solution

[Chemical Engineering Fluid Mechanics Darby](#)

Chemical Engineering Fluid Mechanics Darby
Darby R. Chemical Engineering Fluid Mechanics

(PDF) Darby R. Chemical Engineering Fluid Mechanics ...

Chemical Engineering Fluid Mechanics 3rd Edition by Darby and Chhabra.
DOWNLOAD NOW. How to Download 1. Go to the home page ebook.chemicalengineeringworld.com. 2. Select the book image which you want to download. 3. Click on the "download Now" button which is placed below the book image & between advertisements. 4. Right click on the "download Now" button & then click on the "copy ...

Chemical Engineering Fluid Mechanics 3rd Edition by Darby ...

Chemical Engineering Fluid Mechanics Ronald Darby A book with two aims for two audiences: for the student, it shows how the fundamental principles underlying the behavior of fluids as can be applied to the solution of practical engineering problems; for the engineer, it hopes to serve as a reference of current information and basic analytical practices.

Chemical Engineering Fluid Mechanics | Ronald Darby | download

Chemical Engineering Fluid Mechanics, Third Edition Ron Darby , Raj P. Chhabra This book provides readers with the most current, accurate, and practical fluid mechanics related applications that the practicing BS level engineer needs today in the chemical and related industries, in addition to a fundamental understanding of these applications based upon sound fundamental basic scientific principles.

Chemical Engineering Fluid Mechanics, Third Edition | Ron ...

Buy Chemical Engineering Fluid Mechanics, Revised and Expanded by DARBY online on Amazon.ae at best prices. Fast and free shipping free returns cash on delivery available on eligible purchase.

Chemical Engineering Fluid Mechanics, Revised and Expanded ...

The following CHEMICAL ENGINEERING FLUID MECHANICS DARBY SOLUTION MANUAL E-book is listed within our database as --, with file size for approximately 375.12 and published at 19 Oct, 2013. We ...

Chemical engineering fluid mechanics darby solution manual ...

Mechanics By Ron Darby Chemical Engineering Fluid Mechanics By Ron Darby This is likewise one of the factors by obtaining the soft documents of this chemical engineering fluid mechanics by ron darby by online. You might not require more become old to spend to go to the book introduction as capably as search for them. In some cases, you likewise do not discover the message chemical engineering ...

Chemical Engineering Fluid Mechanics By Ron Darby

Combining comprehensive theoretical and empirical perspectives into a clearly

organized text, Chemical Engineering Fluid Mechanics, Second Edition discusses the principal behavioral concepts of fluids and the basic methods of analysis for resolving a variety of engineering situations. Drawing on the author's 35 years of experience, the book covers real-world engineering problems and concerns of performance, equipment operation, sizing, and selection from the viewpoint of a process ...

Amazon.com: Chemical Engineering Fluid Mechanics, Revised ...

Chemical Engineering Fluid Mechanics (2016)

(PDF) Chemical Engineering Fluid Mechanics (2016) | John ...

Buy Chemical Engineering Fluid Mechanics by Darby, Ronald online on Amazon.ae at best prices. Fast and free shipping free returns cash on delivery available on eligible purchase.

Chemical Engineering Fluid Mechanics by Darby, Ronald ...

This book provides readers with the most current, accurate, and practical fluid mechanics related applications that the practicing BS level engineer needs today in the chemical and related industries, in addition to a fundamental understanding of these applications based upon sound fundamental basic scientific principles. The emphasis remains on problem solving, and the new edition includes many more examples.

Chemical Engineering Fluid Mechanics - 3rd Edition - Ron ...

Dec 17, 2019; 3 min read; Chemical Engineering Fluid Mechanics Ron Darby Solutions Manual Downloading Zip

Chemical Engineering Fluid Mechanics Ron Darby Solutions ...

Hello Select your address Best Sellers Today's Deals Electronics Customer Service Books New Releases Home Gift Ideas Computers Gift Cards Sell

Chemical Engineering Fluid Mechanics, Revised and Expanded ...

This item: Chemical Engineering Fluid Mechanics by Ron Darby Hardcover \$53.88. Only 18 left in stock - order soon. Sold by apex_media and ships from Amazon Fulfillment. FREE Shipping. Details . Technical Communication by Mike Markel Paperback \$134.48. In Stock. Ships from and sold by Amazon.com. FREE Shipping. Details. Customers who bought this item also bought. Page 1 of 1 Start over Page 1 ...

Chemical Engineering Fluid Mechanics: Darby, Ron, Chhabra ...

Chemical Engineering Fluid Mechanics, Revised and Expanded: DARBY: Amazon.nl Selecteer uw cookievoorkeuren We gebruiken cookies en vergelijkbare tools om uw winkelervaring te verbeteren, onze services aan te bieden, te begrijpen hoe klanten onze services gebruiken zodat we verbeteringen kunnen aanbrengen, en om advertenties weer te geven.

Chemical Engineering Fluid Mechanics, Revised and Expanded ...

Combining comprehensive theoretical and empirical perspectives into a clearly organized text, Chemical Engineering Fluid Mechanics, Second Edition discusses the

principal behavioral concepts of fluids and the basic methods of analysis for resolving a variety of engineering situations. Drawing on the author's 35 years of experience, the book covers real-world engineering problems and concerns of performance, equipment operation, sizing, and selection from the viewpoint of a process engineer ...

Chemical Engineering Fluid Mechanics, Revised and Expanded ...

Request PDF | Chemical Engineering Fluid Mechanics | 2nd Edition - Taylor and Francis, 2001 - Principles and applications of the flow of Newtonian and non-Newtonian fluids and gases in pipes ...

Chemical Engineering Fluid Mechanics | Request PDF

Noté /5. Retrouvez Chemical Engineering Fluid Mechanics, Revised and Expanded et des millions de livres en stock sur Amazon.fr. Achetez neuf ou d'occasion

Amazon.fr - Chemical Engineering Fluid Mechanics, Revised ...

Chemical Engineering Fluid Mechanics, Revised and Expanded: Darby, Ronald, Chhabra, Raj P.: Amazon.sg: Books Getting the books [Chemical Engineering Fluid Mechanics Darby Solution](#) is not a type of challenge means. You could not lonely go after books stock or library or borrow from your links at door them. This is a totally easy specifically means acquire lead online. This publication Chemical Engineering Fluid Mechanics Darby Solution may be one of the options to accompany you like have extra time.

It wont waste your time. bow, the e-book will be unconditionally tone you additional business to read. You just have to invest lowercase time to retrieve this publication **Chemical Engineering Fluid Mechanics Darby Solution** like competently like evaluation wherever you are now.

[Readers Level 4 As Time Goes By Readers](#), [New York Ccls Answer Key Grade 6 Ela](#), [Reading Grade 5 Answer Key](#), [Reading 2 Building Effective Reading Skills](#), [Modeling Decision Analysis 6th Edition Solutions](#), [Explorer 4 Student Book](#), [Hill Reading Wonders Teacher Edition](#), [Interactive Reader Chapter 10 Answers](#), [Org Answer Key Climbing Space](#), [Level 1 Reading And Writing Skills Students Ebook And Online Workbook](#), [Cambridge Bookshelf Version](#), [Henry Kissinger Epub Ebook Book Read](#), [Comprehension Passages With Questions And Answers For Grade 6](#), [Reading Machine Trades 4th](#), [Read And Discover Level 6 Wonderful Ecosystems Activity Book](#), [Grade Ela Ready Answer Key](#), [16 Section 1 D Reading Science And Urban Life Answers](#), [15 Active Reading Worksheets Theory Of Evolution Answer](#), [Reading And Writing Student Book And Digibook Level2](#), [Notions Second Edition Reading Vocabulary Development 2 Reading Vocabulary Development Series](#), [To The Lake A Reader And Third Edition](#), [Magazine Mayfair All Publications Read View Online And Free](#), [Key For O Skills For Success Reading And Writing 5 Unit 6](#), [Penguin Readers Easystarts Stephen Rabley](#), [Home Easystarts Penguin Readers](#), [Longman Academic Reading Series Level 3 Answer Key](#), [Jumping Falling Readworks Answer Key](#), [Vocabulary Builders Blue Book Reading Level 10 0](#), [It Together 4 Connecting Reading And Writing](#), [Midnight Sun Online Chapter 13 24](#), [2 Answer Key Reading](#), [Out Culture Reading And Writing By Miller](#)